

# MULAG

Innovative Technologies for Roadside Maintenance



## Front-Mounted Mower

# FME 500

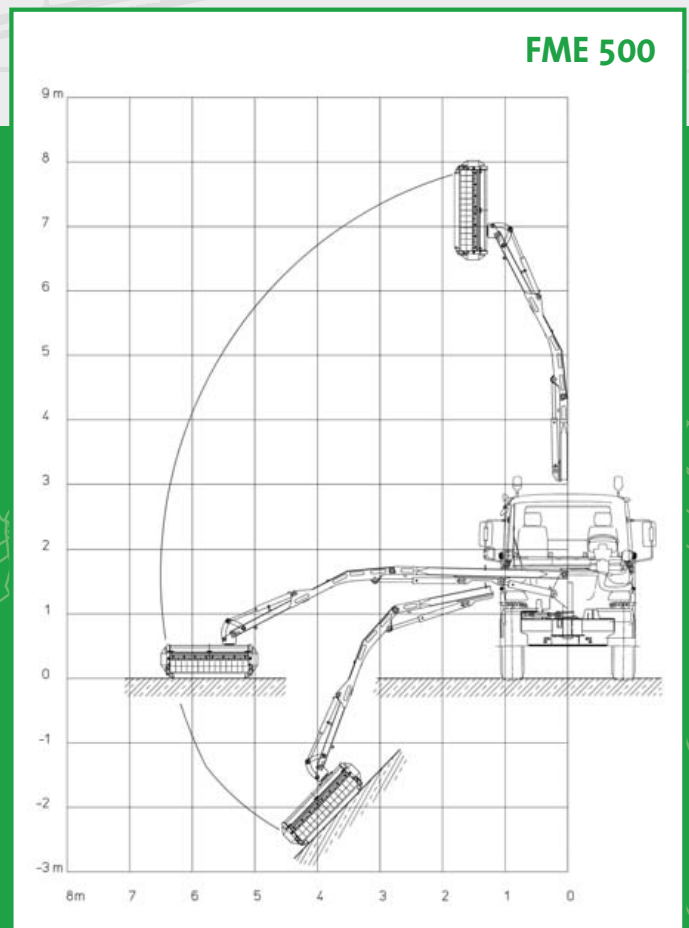
Unimog

## Front-Mounted Reach Mower FME 500 Technical Data

<b>Reach</b>	6.50 m (from centre of vehicle)
<b>Application</b>	Right- and left-hand use possible
<b>Swivelling range of boom</b>	210 degrees
<b>Type of fitting</b>	- Front mounting plate size 3/5 - for Unimog U300-U500, SBU and MBU
<b>Drive</b>	- Vehicle power hydraulics - Front PTO-shaft
<b>Safety-Stop</b>	Electrical with Safety-Stop within 4 sec. for all working attachments
<b>Control</b>	- Electro-hydraulic control with 2-stage power arm relief control system AES - CAN-BUS technology / Prop. control with power arm relief control AER (option) - CAN-BUS technology / Prop. control with power arm relief control Mähtronic (option)
<b>Attachments</b>	The quick-change device enables flexible operations with many different mowing heads, washing tools, hedging attachments and weed brushes, etc. .



Front-mounted mower FME 500 in transport position



Reach diagram of the FME 500



6.5 m reach for easy operation

Distributor

Manufacturer

# MULAG

MULAG Fahrzeugwerk  
Heinz Wössner GmbH u. Co. KG  
Gewerbstraße 8  
77728 Oppenau  
Germany

Tel +49-(0)7804-913-0  
Fax +49-(0)7804-913-163  
E-Mail info@mulag.com  
Web www.mulag.com

